

Your grinding solution is ready!

CG High performance grinding machine with short delivery time.

GO FAST! 80 m/s with conventional abrasive.



HIGH PRODUCTION EXTERNAL GRINDING SOLUTION

The CG range of external grinding machine is the answer to your most complex and demanding challenges. A family of solutions designed for maximum productivity, without compromising precision or quality.

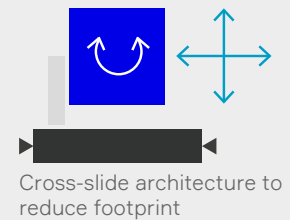
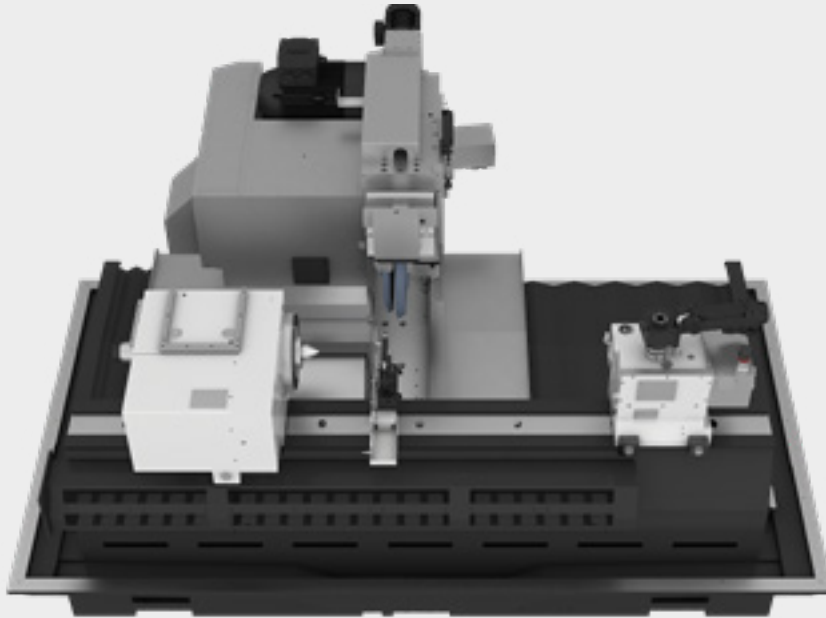
CG machines guarantee long-life grinding solutions under the most demanding 24/7 manufacturing conditions.

- Near 100% availability
- Lowest cost per part
- Short changeover time
- Reduced footprint
- ECO machine
- Increased productivity
- Automated solutions
- 24/7 machine availability

HIGH-PRODUCTION GRINDING MACHINE. BEST PART/COST RATIO

CORE TECHNOLOGY

- 80 m/s with conventional abrasive. A winning combination: speed and an in-depth understanding of grinding.
- Optidress: the new way of dressing. Ask for details.
- Workhead with built-in motor. Much more than a workhead.
- Wide range of tailstock with 80 – 600 mm strokes.
- Customisable wheelhead.



AVAILABILITY

We work to ensure that our grinding machines provide near 100% availability.

- Critical components built in-house
- Exchange program

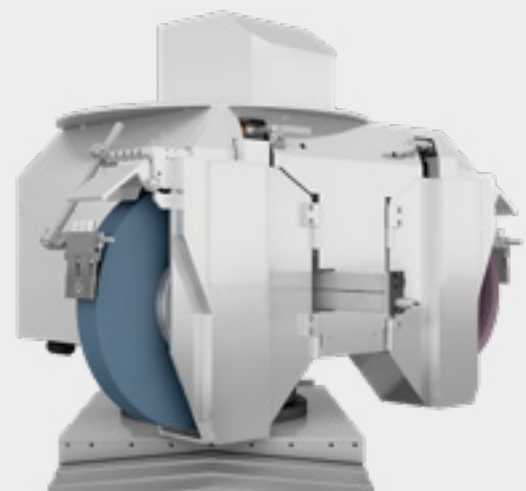
AUTOMATED SOLUTIONS

To ensure shorter production times and thus increase productivity, different types of integrated loading can be offered with CG machines.

TECHNICAL CHARACTERISTICS

CG-600/CG-1000

Max. distance between centres	600 mm/1000 mm
Max. diameter to be ground	440 mm
Max. weight between centres	500 kg
Max. grinding wheel size	Ø 610 mm x 160 mm
Max. wheel peripheral speed	80 m/s



B-axis (grinding spindle revolver)

Danobat

Arriaga kalea 21 - E-20870 - Elgoibar - Gipuzkoa - Spain
+34 943 748 044
www.danobatgrinding.com

DANOBATGROUP

